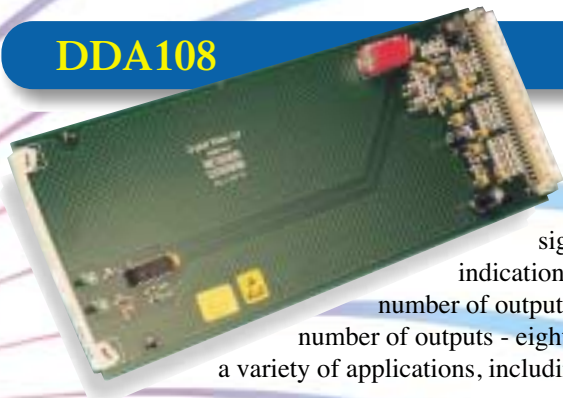


# Crystal Vision

## SDI DISTRIBUTION AMPLIFIERS

### DDA108



The DDA108 is an SDI distribution amplifier designed to create multiple reclocked outputs from a digital signal. Used by those whose specifications require reclocking to remove high frequency jitter from a signal, it has high quality equalisation for up to 250m cable lengths and LED indication of input present. Flexible frame rear modules allow selection of the number of outputs required: the RM01 rear module gives five outputs while the maximum number of outputs - eight - can be accessed by using the RM02 or RM18. The DDA108 is ideal for a variety of applications, including use in master control rooms, studios, edit suites and OB vehicles.

### DDA108A

The DDA108A is an SDI/ASI distribution amplifier which creates multiple non-reclocked positive polarity outputs from a digital signal. It is generally used in systems that have a combination of SDI and DVB-ASI video signals, or alternatively where reclocking is not considered a requirement. Incorporating the latest in technology it offers improved cable equalisation, and has GPI indication of input absent and LED indication of input present. The RM01 frame rear module gives five outputs while the RM02 and RM18 allow the maximum of eight. The DDA108A was developed following recognition of broadcasters' new need to send DVB-ASI signals down their existing SDI infrastructures, combined with the fact that the current standards of high quality equalisation mean some customers now choose not to reclock.

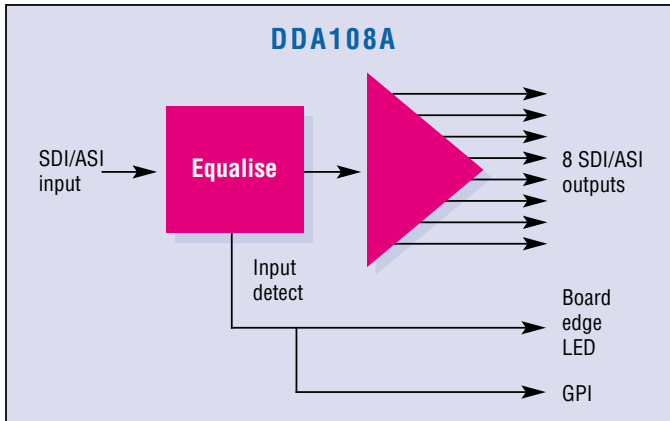
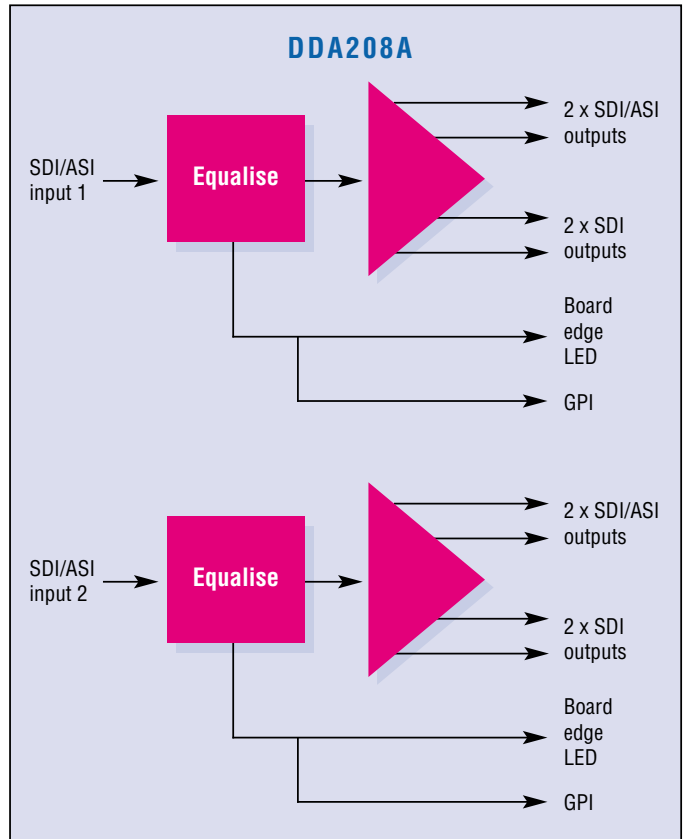
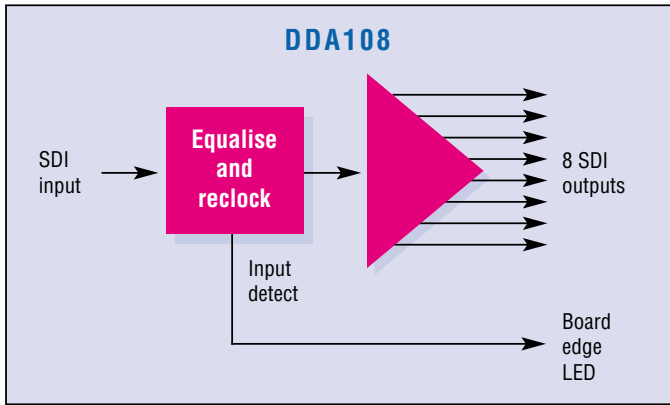


### DDA208A



The DDA208A is Crystal Vision's dual SDI/ASI distribution amplifier which creates multiple non-reclocked outputs from a digital signal. It offers up to four outputs per channel, with the first two outputs of each input being DVB-ASI compatible. The RM01 frame rear module gives two outputs per channel, the RM02 three outputs of the first and four of the second, and the RM18 the maximum four outputs of each. It has GPI indication of inputs absent and LED indication of inputs present. The space-saving DDA208A gives up to 24 channels in 2U and is ideal for situations where you have many feeds and require two copies of each - such as after a router.

- ▶ SDI distribution amplifiers
- ▶ Space-saving: 100mm x 266mm modules allow 12 SDI DAs in 2U
- ▶ Single and dual versions
- ▶ Maximum of eight reclocked outputs (DDA108), eight non-reclocked outputs (DDA108A) or four non-reclocked outputs per channel (DDA208A)
- ▶ Positive polarity DVB-ASI outputs available on DDA108A and DDA208A
- ▶ High quality cable equalisation



## SPECIFICATION

### ALL MODULES

#### MECHANICAL

Standard Crystal Vision modules 266mm x 100mm  
Weight: 150g  
Power consumption: 4 Watts

### DDA108

#### VIDEO SDI INPUT

SDI 270Mbit to EBU 3267-E & SMPTE 259M  
One input  
Cable equalisation >250m Belden 8281 or equivalent

#### OUTPUTS

Maximum of eight reclocked SDI outputs (five outputs with frame rear module RM01 and eight with RM02 and RM18)  
Will drive >250m Belden 8281 or equivalent

#### LED INDICATION OF:

Power supply on board  
Input present

### DDA108A

#### VIDEO SDI OR ASI INPUT

SDI 270Mbit to EBU 3267-E & SMPTE 259M or ASI data  
One input  
Cable equalisation >250m Belden 8281 or equivalent

#### OUTPUTS

Maximum of eight non-reclocked SDI or ASI outputs (five outputs with frame rear module RM01 and eight with RM02 and RM18)  
All outputs are positive polarity  
Will drive >250m Belden 8281 or equivalent

#### GPI OUTPUT LEVELS

TTL active low with series 330ohm and pull-up to 5V.  
(Can drive 5V LED)  
Replace series resistor with zero ohm link for bulbs up to 24 volt and max current of -300mA

#### GPI OUTPUTS

Input not present

#### LED INDICATION OF:

Power supply on board  
Input present

### DDA208A

#### VIDEO SDI OR ASI INPUTS

SDI 270Mbit to EBU 3267-E & SMPTE 259M or ASI data  
Two inputs  
Cable equalisation >250m Belden 8281 or equivalent

#### OUTPUTS

Maximum of four non-reclocked outputs per channel (two outputs of each channel with frame rear module RM01, three outputs of the first channel and four of the second with RM02 and four of each channel with RM18)  
The first two outputs are positive polarity DVB-ASI compatible  
Will drive >250m Belden 8281 or equivalent

#### GPI OUTPUT LEVELS

TTL active low with series 330ohm and pull-up to 5V.  
(Can drive 5V LED)  
Replace series resistor with zero ohm link for bulbs up to 24 volt and max current of -300mA

#### GPI OUTPUTS

Input 1 not present

Input 2 not present

#### LED INDICATION OF:

Power supply on board

Input 1 present

Input 2 present

## ORDERING INFORMATION

DDA108	Single channel SDI reclocking distribution amplifier with up to eight outputs
DDA108A	Single channel SDI and ASI non-reclocking distribution amplifier with up to eight outputs
DDA208A	Dual channel SDI and ASI non-reclocking distribution amplifier with up to four outputs per channel
FR2AV	2U frame for up to 12 Crystal Vision modules
FR1AV	1U frame for up to six Crystal Vision modules
DTB-AV	Desk top box for up to two Crystal Vision modules
RM01	Single slot frame rear module. Allows maximum number of SDI DAs in frame (12 in 2U, six in 1U, two in desk top box). Gives access to one input and five outputs with DDA108 and DDA108A, and two inputs with two outputs per channel with DDA208A. All outputs on DDA108A and DDA208A are ASI compatible
RM02	Four slot frame rear module. One rear module used for three SDI DAs, allowing nine SDI DAs in 2U (fits in 2U frame only). Gives access to one input and eight outputs with DDA108 and DDA108A, and two inputs with three outputs of the first channel and four of the second with DDA208A. All outputs on DDA108A and the first two outputs of each channel on DDA208A are ASI compatible
RM18	Two slot frame rear module. Allows six SDI DAs in 2U, three in 1U and one in desk top box. Gives access to one input and eight outputs with DDA108 and DDA108A, and two inputs with four outputs of each channel with DDA208A. All outputs on DDA108A and the first two outputs of each channel on DDA208A are ASI compatible

## Crystal Vision Ltd.

Lion Technology Park,  
Station Road East, Whittlesford,  
Cambridge CB2 4NL, England.

Tel: +44 (0)1223 497049

Fax: +44 (0)1223 497059

E-mail: sales@crystalvision.tv

www.crystalvision.tv